

EROXX ULTRA

Specs*

Frame Rahmen	Nicolai UB1 ; 2 sizes
Fork Gabel	EXT UB1 ; 200mm ; spring + double air chamber
Rear shock Dämpfer	EXT UB1 ; 200mm ; 230 / 65
Headset Steuersatz	Nicolai UB-1
Stem Vorbau	Nicolai UB-1
Handlebar Lenker	TBD (still in testing)
Brakes Bremse	TBD (still in testing)
Grips Griffe	TBD (still in testing)
Wheels Laufräder	Nicolai UB1
Tyres Reifen	Heidenau K67 3.00 - 21 M/C 51T TT
Saddle Sattel	SQLab 60X Ergowave active - 140
Seat post Sattelstütze	BIKEYOKE DIVINE 185mm
Crankarm Kurbel	Nicolai UB1 150mm
Front sprocket Kettenblatt	Nicolai 46/10
Electric Motor Motor	Nicolai UB-1 ; 6KW nominal ; 10 KW peak
Battery Akku	Nicolai UB-1 ; 2000 Wh
Display + Remote	Color ; 5 riding modes / maps
Gearbox Getriebe	Pinion ; C1-9 speed XR ; 568 %
Rear wheel drive Hinterradantrieb	GATES CARBONDRIVE ; 20/70
Lights, Fenders, Horn Beleuchtung, Schutzbleche, Hupe	TBD (still in testing)

Price | Preis*

Version L1E-PI (street legal + gearbox) ; v-max 45km/h	12999 Euro incl. PINION gearbox ; street legal L1E
Version L1E-PI (street legal + footpegs) ; v-max 45km/h	11499 Euro incl. footpegs ; street legal L1E
Version MX ; Export ; not street legal ; open version	9999 Euro incl. footpegs ; street legal L1E

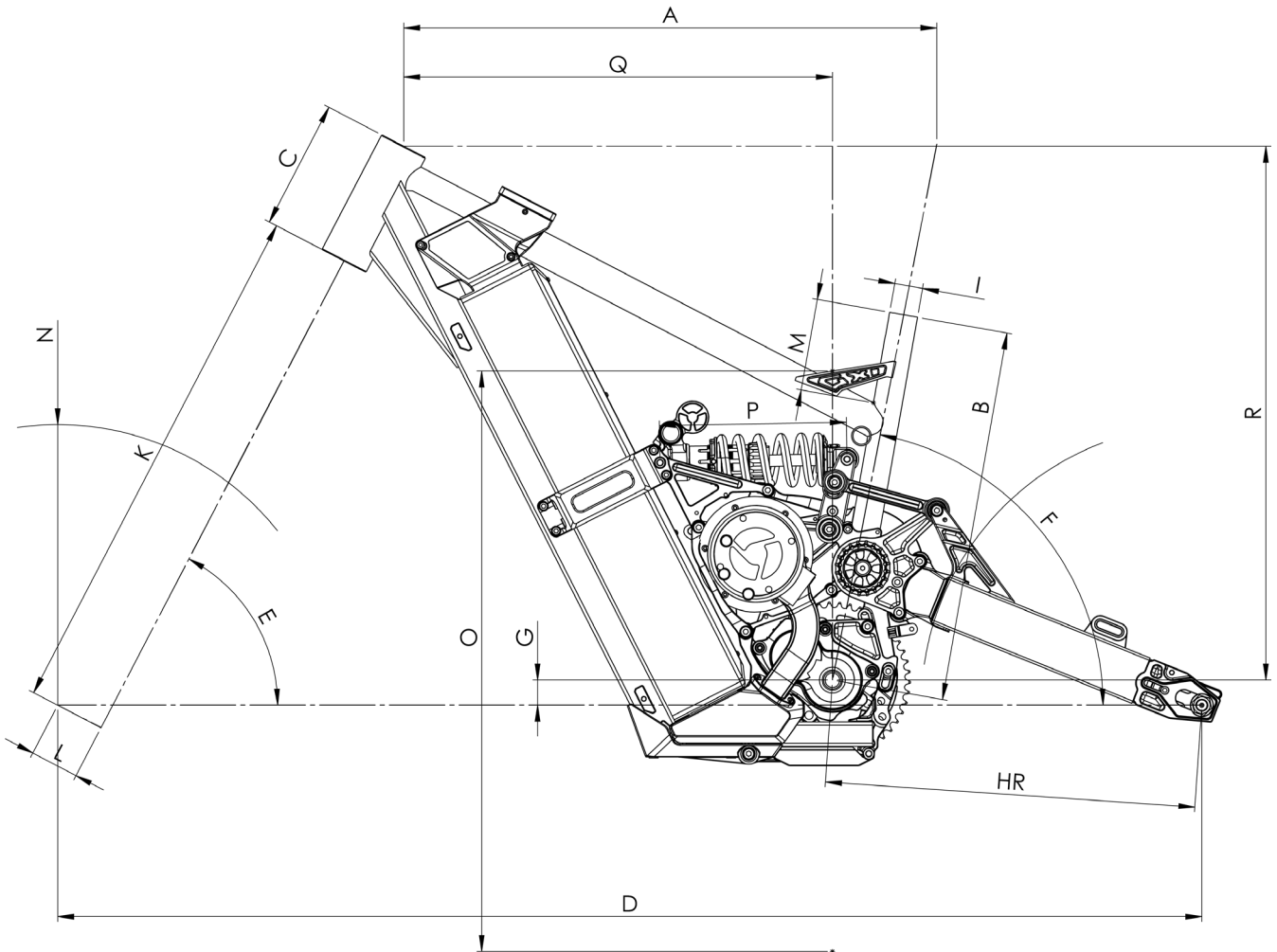
*Subject to change without notice / Änderung vorbehalten

Frame sizes | Rahmengrößen*

S-M

L-XL

A	Top tube length Oberrohrlänge	617 mm	651 mm
B	Seat tube length Sitzrohrlänge	433 mm	433 mm
C	Head tube length Steuerrohrlänge	139 mm	159 mm
D	Wheel base Radstand	1345 mm	1375 mm
	Steering angle Lenkwinkel real	62,5°	62,5°
	Rear wheel travel (vertical) Federweg hinten (vertikal)	180 mm	180 mm



*Subject to change without notice / Änderung vorbehalten